



## Deep C Controlled Flow Excavator

### Precision Trenching and Gentle Burial Solutions

The patented Deep C CFE is designed for efficient and controlled mass flow excavation and burial at any water depth. Its unique nozzle removes high volumes of material while minimizing disruption to the seabed and maintaining clear visibility throughout operations.

With integrated heading control, sonar, cameras, and lights, the CFE ensures precise handling in demanding subsea environments. Its modular design supports seamless integration with Deep C Systems, offering flexibility for diverse project requirements.

#### Features

- Unmatched combination of accuracy and efficiency
- High-efficiency excavation with up to 800 m<sup>3</sup>/hr excavation rate
- Operates at any depth without additional stabilization equipment



## Technical Specifications

A high-performance subsea excavation tool featuring a patented nozzle with a 5 m<sup>3</sup>/s flow capacity and advanced monitoring systems. Designed for efficient and precise operations at depths up to 2000m, it eliminates the need for guide wires. Certified to DNV standards, ensuring safety and reliability.

Contact [mail@deepcgroup.com](mailto:mail@deepcgroup.com) for more details.

### Dimensions

LxWxH:	2500x2500x3000 mm
Dry weight:	6000 kg
Weight submerged:	3420 kg

### Performance

Thrust:	16 kN
Flow rate:	Up to 5.0 m <sup>3</sup> /sec
Nozzle velocity:	Up to 8 m/sec
Excavation rate:	Up to 800 m <sup>3</sup> /hr
Water depth:	Rated for 2,000 m
Sediments:	Clay < 200 kPa
Sediments:	Sand, rock-dump & scour protection (>500 mm)

### Power & Navigation

Thruster motors:	190 kW electrical motor
Jetting motor:	95 kW electrical motor
Power supply without container:	440 V, 60 Hz, 200 amp, 3-phase
Power supply with container:	- 400-480 V, 60 Hz, 125 amp, 3-phase
Navigation systems:	Compass, gyro, sonar, cameras, lights

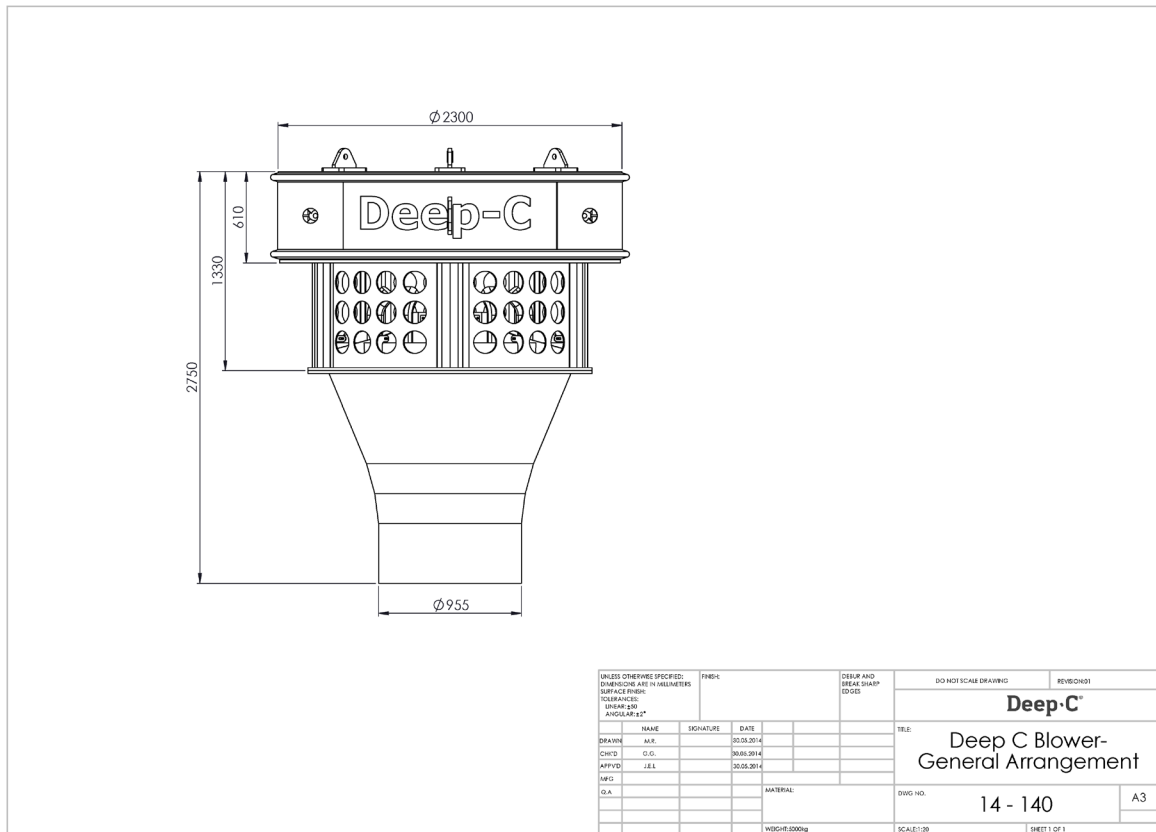
### Jetting Ring (Optional)

Capacity:	300 l/min
Pressure:	300 bar
Interface:	2" BSP Maler



# Technical Drawings

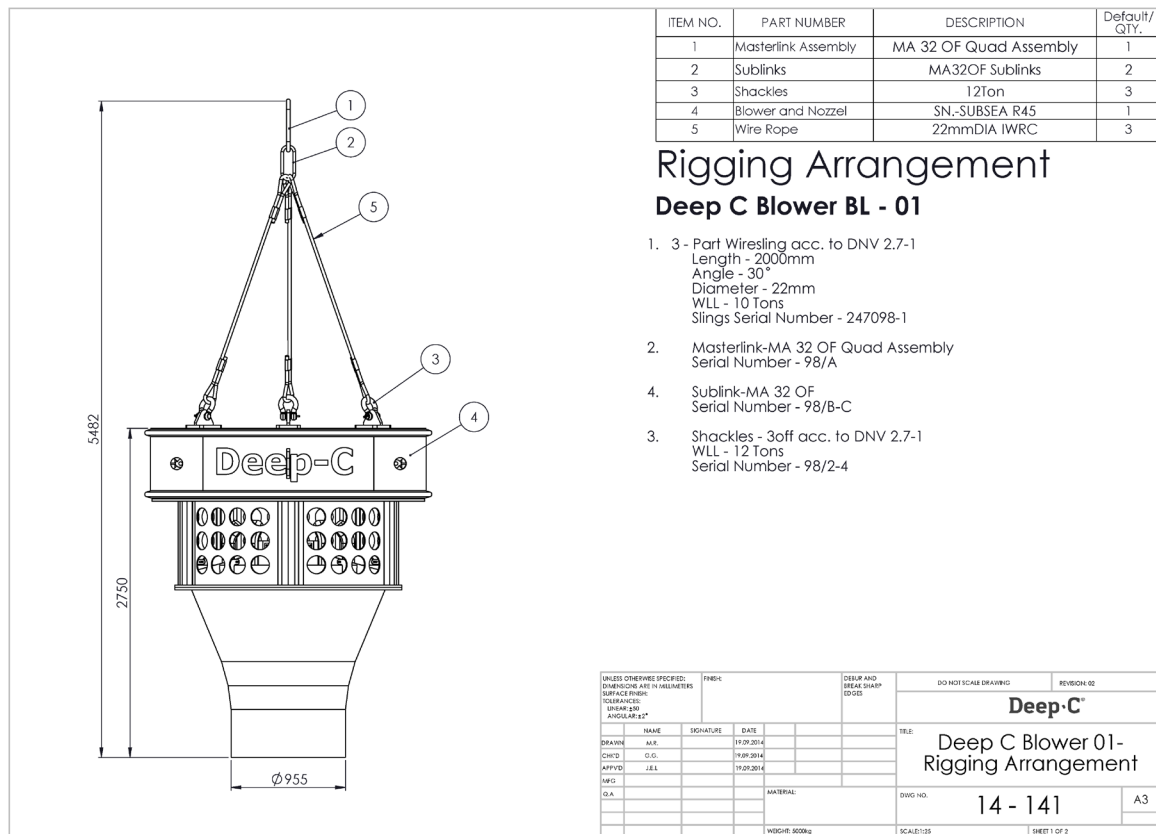
General arrangement





## Technical Drawings

General arrangement



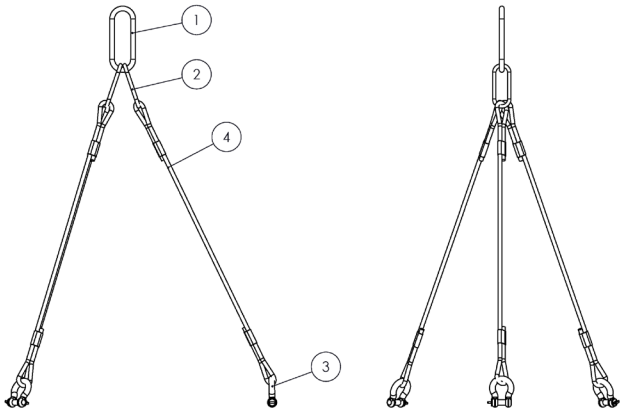




# Technical Drawings

General arrangement

ITEM NO.	PART NUMBER	DESCRIPTION	QTY.
1	Masterlink Assembly	MA 32 OF Quad Assembly	1
2	Sublink	MA 32 OF Sublink	2
3	Shackles	12Ton	3
4	Wire Rope	22mmDIA IWRC	3

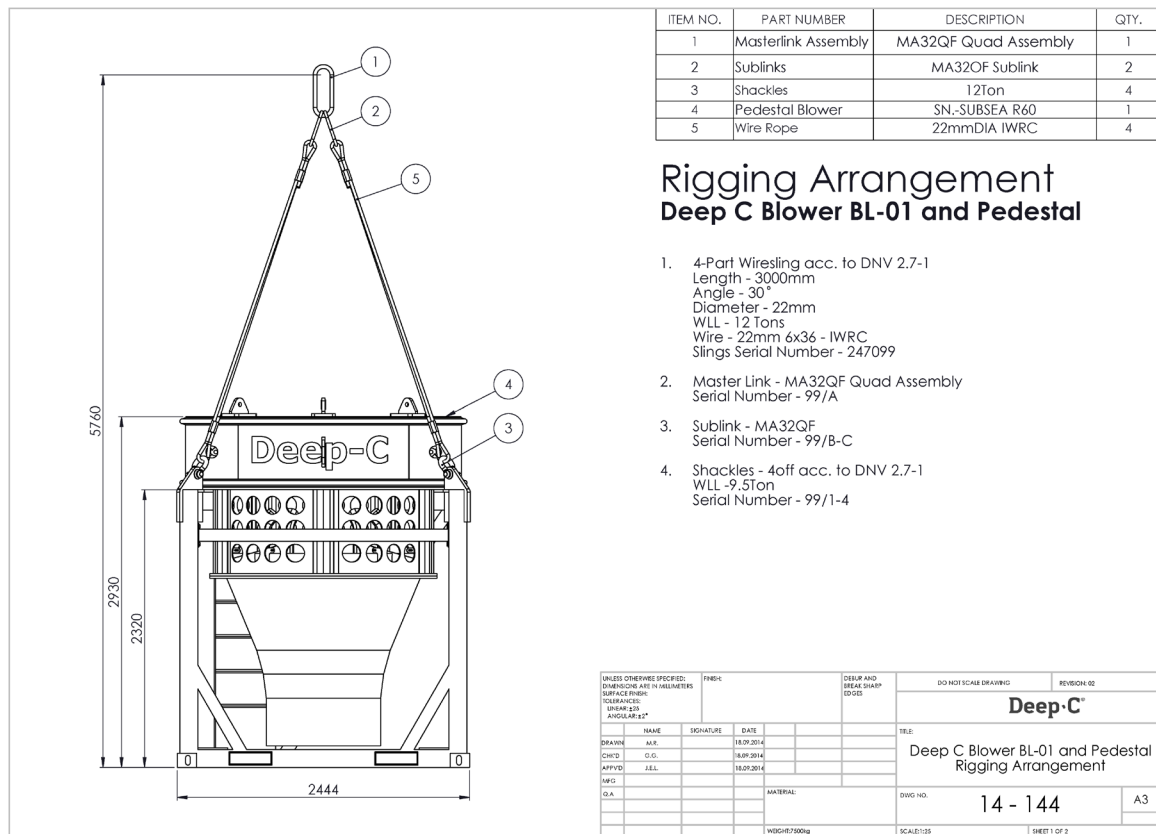
UNLESS OTHERWISE SPECIFIED: DIMENSIONS ARE IN MILLIMETERS SURFACE FINISH: UNLESS STATED OTHERWISE: TOLERANCES: ANGLES ARE 25°		FINISH	DEBUR AND BREAK SHARP EDGES	DO NOT SCALE DRAWING	REVISION 02
<b>Deep·C®</b>					
TITLE: Deep C Blower 01- Rigging Arrangement					
DRAWN: M.R.		SIGNATURE: [Signature]		DATE: 19.09.2014	
CHECKED: G.G.		SIGNATURE: [Signature]		DATE: 19.09.2014	
APPROVED: J.E.L.		SIGNATURE: [Signature]		DATE: 19.09.2014	
MFG:		MATERIAL:		DWG. NO. 14 - 141	
Q.A.:		WEIGHT: 8000kg		SCALE: 1:20	
					A3
					SHEET 2 OF 2





## Technical Drawings

General arrangement





## Technical Drawings

General arrangement

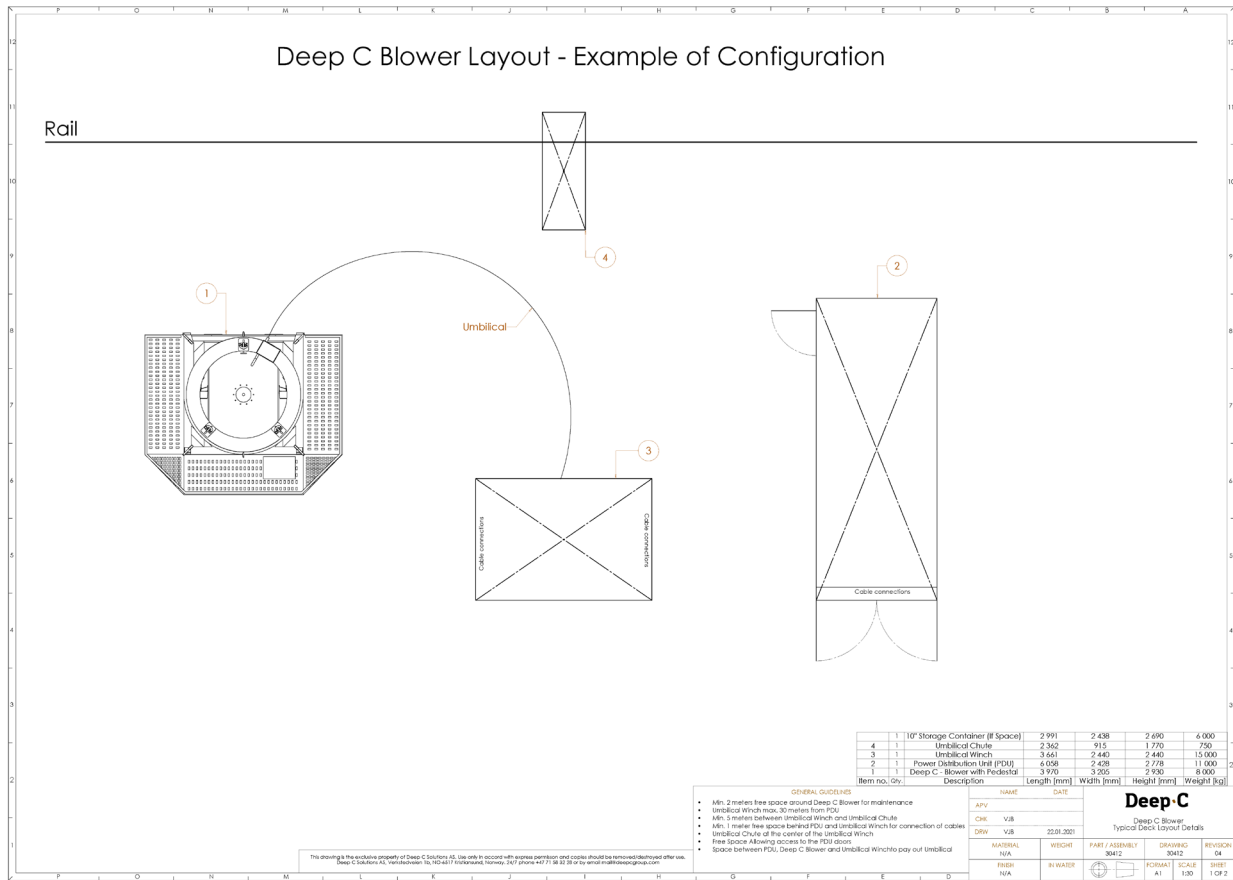
ITEM NO.	PART NUMBER	DESCRIPTION	QTY.
1	Masterlink Assembly	MA32QF Quad Assembly	1
2	Sublink	MA32OF Sublink	2
3	Wire Rope	22mmDIA IWRC	4
4	Shackles	12Ton	4

UNLESS OTHERWISE SPECIFIED: DIMENSIONS ARE IN MILLIMETERS SURFACE FINISH: TOLERANCES: UNLESS SHOWN OTHERWISE			FINISH	DEBUR AND BREAK SHARP EDGES	DO NOT SCALE DRAWING	REVISION 02
<b>Deep·C</b>						
DRAWN: M.R. 18.09.2014						T.E.S:
CHK'D: O.G. 18.09.2014						Deep C Blower BL-01 and Pedestal Rigging Arrangement
APP'D: J.E.L. 18.07.2014						DWG NO:
MFG:						14 - 144
C.A.:						A3
MATERIAL:						SCALE: 1:20
WGT: 7000g						SHEET 2 OF 2



# Technical Drawings

## General arrangement







# Technical Drawings

## General arrangement

